

# WELDING MACHINE SOLENOID VALVES



2/2 Direct acting normally closed valve

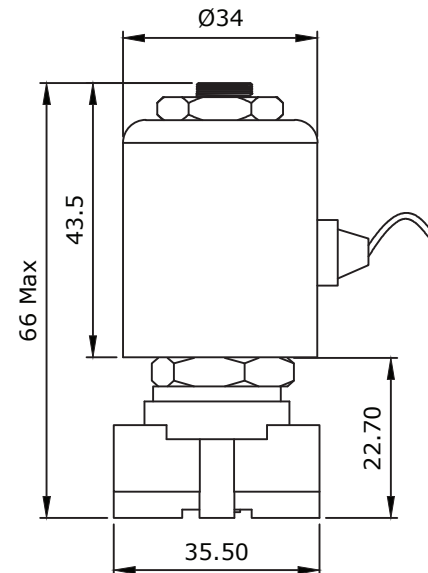
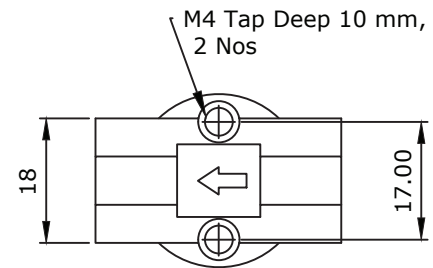
## Features :

- Wide range of coil voltages.
- Continuous duty cycle.
- Low temperature of operation.
- Noiseless performance.
- Coil can be rotated by 360°.



## Technical Specifications :

Model	KW/2NC/2.4						
Medium	Filtered compressed air						
Port Size	Inlet, Outlet - G1/8 ( F )						
Ambient / Medium temperature	5° - 60° C						
Orifice (NW)	2.4						
Operating pressure (bar)	0 - 10						
Flow rate ( Ltr / Min )	250						
Electrical							
Voltage (V) ± 10%	AC				DC		
	24	36	42	110	230	12	24
Power Consumption (Watts)	6				8		
Duty Cycle	Continuous						
Type of coil protection	IP67 / 65						
Class of insulation	Class - F						
Materials of construction	Aluminium, Brass, Stainless Steel						



Manufactured by :

**Kushako India**

Office : 490, Narayan Peth, Opp. Pune Marathi Granthalaya, Pune - 411030. (Maharashtra), Website : [www.kushakoindia.com](http://www.kushakoindia.com)

Works : Sr.No. 25/1A, Village Nanded, Sinhgad Road, Tal - Haveli, Dist. Pune -411041

Tel. No : 901169077 / 7620674777

E-mail : [kushako.india@gmail.com](mailto:kushako.india@gmail.com) / [kushakoindia1992@gmail.com](mailto:kushakoindia1992@gmail.com)